

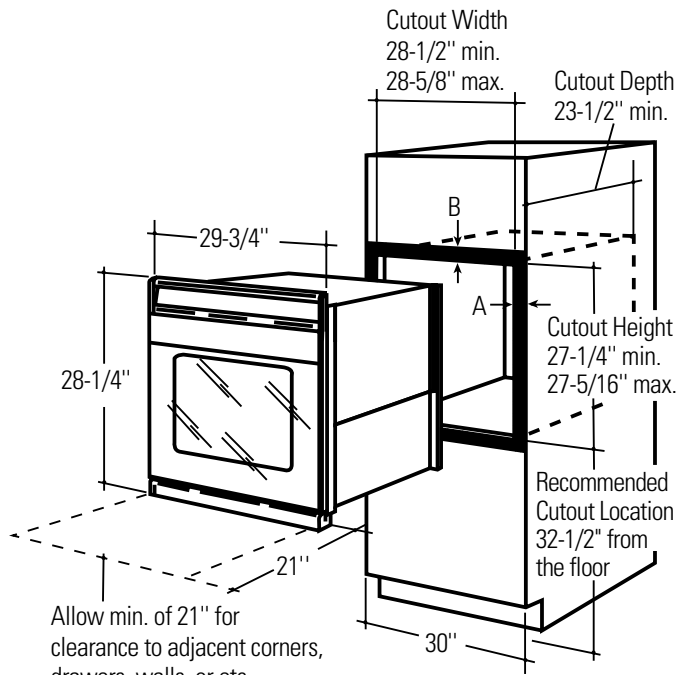


Monogram®

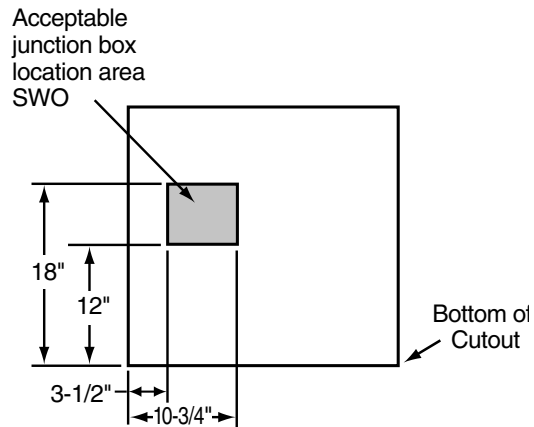
ZET3038SH/WH/BH – GE Monogram 30" Built-In Single Oven with Trivection™ Technology

Dimensions (in inches)

30" Built-In Single Oven Dimensions (in inches)



A = Allow 11/16" - 3/4" for overlap of oven over side edges of cutout.
 B = Allow 1" overlap of oven over top and 1-1/4" overlap at the bottom edges of cutout.



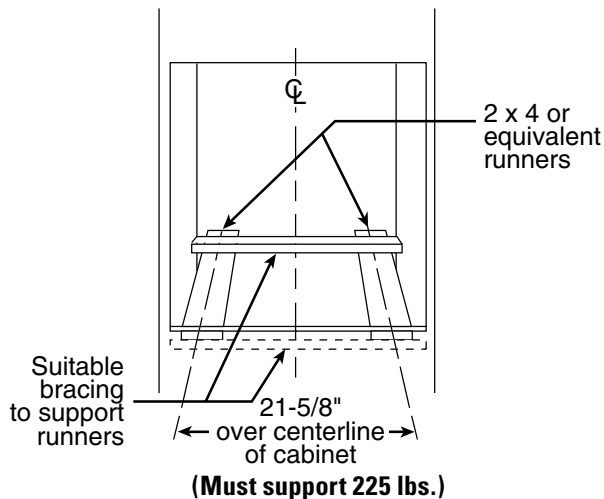
KW Rating	
240V	5.9
208V	4.4
Breaker Size	
240V	30 Amps
208V	30 Amps

Note: These ovens are not approved for stackable or side-by-side installations.

Note: Cabinets installed adjacent to wall ovens must have an adhesion spec of at least a 194°F temperature rating.

Installation Information: Before installing, consult installation instructions packed with product for current dimensional data.

Electric wall ovens are not approved for installation with a plug and receptacle. They must be hard wired in accordance with installation instructions.



Specification Revised 6/04

130311

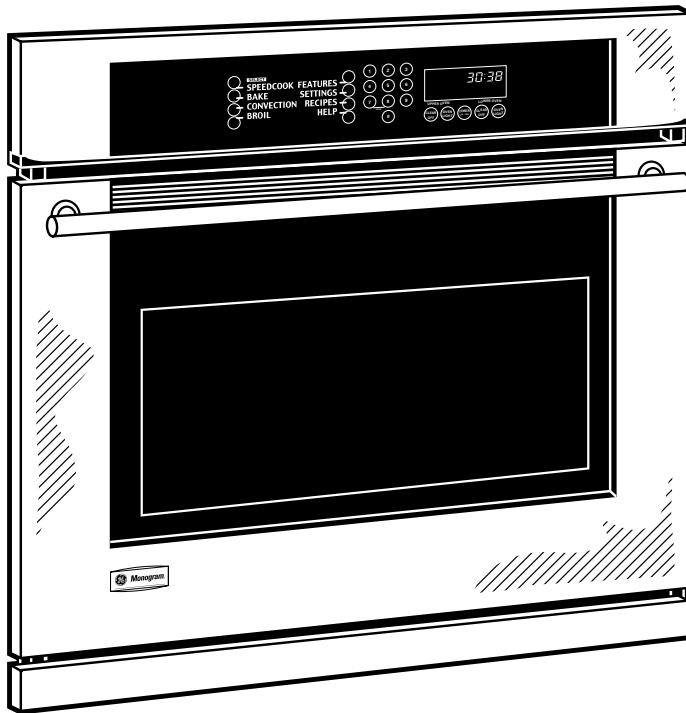


For answers to your Monogram®, GE Profile™ or GE® appliance questions, visit our website at GEAppliances.com or call GE Answer Center® service, 800.626.2000.



Monogram®

ZET3038SH/WH/BH – GE Monogram 30" Built-In Single Oven with Trivection™ Technology



Features and Benefits

- Trivection technology – Combines thermal, convection and microwave energies to produce quality food remarkably fast
- Sophisticated styling
- Cooking versatility
- Full-size oven capacity
- Glass touch electronic controls
- Halogen interior light
- Model ZET3038SHSS – Stainless steel
- Model ZET3038WHWW – White
- Model ZET3038BHBB – Black